

POWER MONITORING & PROTECTION

SPLIT-CORE CURRENT TRANSFORMERS

500T, 501T



Electromagnetic Industries LLP.



DESCRIPTION

The **Electromagnetic Industries Model 500T and 501T** split-core current transformers provide a low-amperage current output proportional to line current and are for use in energy management control and metering applications. These transformers are ideal for use as inputs to power monitors such as the **endicator™** and current transducers such as Models 4CTV and 4CMA. These transformers are designed to be assembled around an existing insulated conductor without the need for dismantling the primary bus or cables. The portion of the transformers marked "This End Removable" can be disassembled and then reassembled around the conductors that require current monitoring.



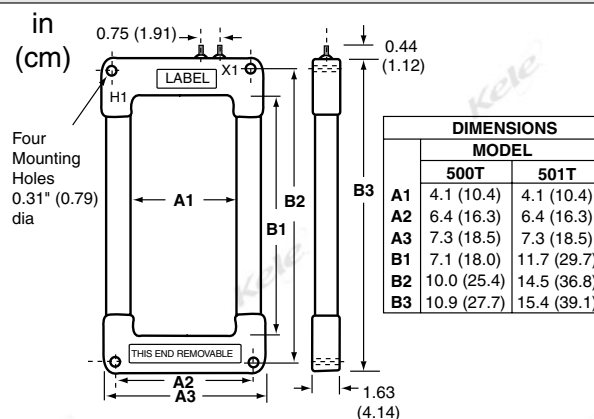
500T
(shown with end removed)

FEATURES

- 5A secondary
- Split-core construction for easy installation
- Brass stud terminals #8-32 with one flat washer, lockwasher, and regular nut

CAUTION: Proper safety precautions must be followed by a trained electrician during installation. It is recommended that the incoming power be de-energized before installation. The current transformer must have its secondary terminals short-circuited or the burden (load) connected before energizing the primary circuit. For indoor use only. Use on insulated conductors only.

DIMENSIONS



SPECIFICATIONS

Secondary Frequency Terminations	0-5A 50-400 Hz Brass stud terminal with nut, flat washer, lockwasher
Materials Of Construction	Plastic, UL94V-1
Insulation Class	600V, 10 kV BIL
Continuous Thermal Current Resistor Factor	1.33 @ 30°C ambient (86°F) 1.0 @ 55°C ambient (131°F)

Window Size	500T 4.1" x 7.1" (10.4 x 18.0 cm), 501T 4.1" x 11.7" (10.4 x 29.7 cm)
Weight	8 lb (3.6 Kg)
Approvals	UL-recognized component, File #E238872; CSA certified, File #245941
Warranty	1 year

ORDERING INFORMATION

MODEL 500T - 4.1" x 7.1" (10.4 x 18.0 cm) Window					
MODEL	CURRENT RATIO	ANSI METER CLASS @ 60Hz			ACCURACY CLASS WITH UNITY POWER FACTOR
		B0.1 2.5 VA	B0.2 5 VA	B0.5 12.5 VA	
500T-301	300:5	-	-	-	±5% @ 1.5 VA
500T-401	400:5	-	-	-	±3% @ 2.5 VA
500T-501	500:5	-	-	-	±2% @ 2.5 VA
500T-601	600:5	4.8	-	-	±1% @ 4.0 VA
500T-751	750:5	4.8	-	-	±1% @ 5.0 VA
500T-801	800:5	2.4	-	-	±1% @ 5.0 VA
500T-102	1000:5	2.4	4.8	-	±1% @ 7.5 VA
500T-122	1200:5	1.2	2.4	-	±1% @ 10.0 VA
500T-152	1500:5	1.2	1.2	2.4	±1% @ 12.5 VA
500T-162	1600:5	1.2	1.2	2.4	±1% @ 12.5 VA
500T-202	2000:5	0.6	1.2	2.4	±1% @ 15.0 VA
500T-252	2500:5	0.6	0.6	1.2	±1% @ 25.0 VA
500T-302	3000:5	0.6	0.6	1.2	±1% @ 25.0 VA
500T-402	4000:5	0.3	0.6	0.6	±1% @ 25.0 VA

MODEL 501T - 4.1" x 11.7" (10.4 x 29.7 cm) Window					
MODEL	CURRENT RATIO	ANSI METER CLASS @ 60Hz			ACCURACY CLASS WITH UNITY POWER FACTOR
		B0.1 2.5 VA	B0.2 5 VA	B0.5 12.5 VA	
501T-102	1000:5	2.4	4.8	-	±1% @ 7.5 VA
501T-122	1200:5	1.2	2.4	-	±1% @ 10.0 VA
501T-152	1500:5	1.2	1.2	2.4	±1% @ 12.5 VA
501T-202	2000:5	0.6	1.2	2.4	±1% @ 15.0 VA
501T-252	2500:5	0.6	0.6	1.2	±1% @ 25.0 VA
501T-302	3000:5	0.6	0.6	1.2	±1% @ 25.0 VA
501T-352	3500:5	0.6	0.6	0.6	±1% @ 25.0 VA
501T-402	4000:5	0.3	0.6	0.6	±1% @ 25.0 VA

Example: 500T-102 Split-core current transformer with a current ratio of 1000:5 and a window size of 4.1" x 7.1" (10.4 x 18.0 cm)